



Machines

AV2-2 Tandem Vibrating Rollers 2.4 – 4 t

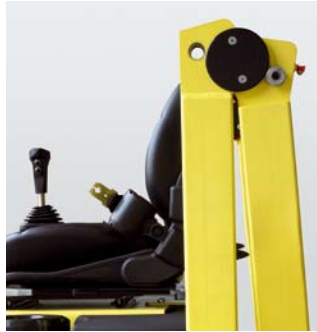
www.ammann-group.com



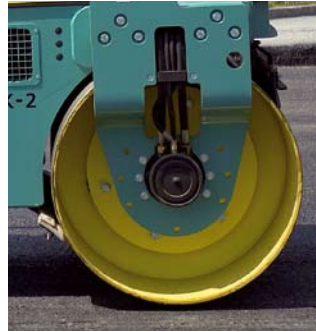
Technical data and optionals

	Masseinheit	AV 23-2	AV 23-2 K	AV 26-2	AV 26-2 K	AV 32-2	AV 32-2 K	AV 33-2	AV 40-2	AV 40-2 K
Weight										
Operating weight CECE (full-flush)	kg	2500 (2700)	2300 (2400)	2800 (2900)	2500 (2550)	3100	3100	3500	3900	3600
Static linear load (full-flush)	kg/cm	12.5 (12.8)	12.5 (12.8)	11.7 (12.0)	10.4 (10.6)	12.9	12.9	13.5	15.0	15.0
Wheel load	kg	-	262	-	275	-	312	-	-	412
French classification		PV3	PV3	PV3	PV3	PV3	PV3	PV3	PV4	PV4
Drums (Wheels)										
Width (full-flush)	mm	1000 (1050)	1000 (1050)	1200 (1250)	1200 (1250)	1200	1200	1300	1300	1300
Diameter	mm	740	740	740	740	740	740	740	740	740
Thickness	mm	13	13	13	13	13	13	13	13	13
Offset (full-flush)	mm	40 (60)	0 (20)	40 (35)	0	40	0	40	40	0
Number of wheels		-	4	-	4	-	4	-	-	4
Tire size		-	205/60R15	-	205/60R15	-	205/60R15	-	-	205/60R15
Tire-axle width	mm	-	970	-	1170	-	1170	-	-	1170
Rolling width max. (full-flush)	mm	1040 (1100)	1000	1240 (1300)	1200	1240	1200	1340	1340	1300
Drive										
Engine and type		YANMAR 3TNV88 EuroMot3A / EPA2								
1. working speed: 2050 rpm										
Power output DIN 6270 B	kW / HP	19.8 / 27.0	19.8 / 27.0	19.8 / 27.0	19.8 / 27.0	19.8 / 27.0	19.8 / 27.0	19.8 / 27.0	19.8 / 27.0	19.8 / 27.0
Travel speed	km/h	0 - 7	0 - 7	0 - 7	0 - 7	0 - 7	0 - 7	0 - 7	0 - 7	0 - 7
Gradeability with / without vibr.	%	30 / 40	30 / 40	30 / 40	30 / 40	30 / 40	30 / 40	20 / 30	20 / 30	20 / 30
2. working speed: 2400 rpm										
Power output DIN 6270 B	kW / HP	23.2 / 30.6	23.2 / 30.6	23.2 / 30.6	23.2 / 30.6	23.2 / 30.6	23.2 / 30.6	23.2 / 30.6	23.2 / 30.6	23.2 / 30.6
Travel speed	km/h	0 - 8	0 - 8	0 - 8	0 - 8	0 - 8	0 - 8	0 - 8	0 - 8	0 - 8
Gradeability with / without vibr.	%	30 / 40	30 / 40	30 / 40	30 / 40	30 / 40	30 / 40	25 / 35	25 / 35	25 / 35
Steering										
Turning radius, outside / inside	mm	3350 / 2350	3350 / 2350	3450 / 2250	3450 / 2250	3450 / 2250	3450 / 2250	3500 / 2200	3500 / 2200	3500 / 2200
Steering / Oscillating angle	+/- °	32 / 8	32 / 8	32 / 8	32 / 8	32 / 8	32 / 8	32 / 8	32 / 8	32 / 8
Vibration										
Amplitude										
	mm	0.4	0.4	0.4	0.4	0.4	0.4	0.35	0.35	0.35
1. working speed: 2050 rpm										
Frequency	Hz	59	59	59	59	59	59	59	59	59
Centrifugal force per drum	kN	34	34	34	38	38	38	36	36	36
2. Arbeitsdrehzahl: 2400 U/min										
Frequency	Hz	67	67	67	67	67	67	67	67	67
Centrifugal force per drum	kN	41	41	41	46	46	46	48	48	48
Capacities										
Water tank	l	80 + 120	80 + 120	80 + 120	80 + 120	80 + 120	80 + 120	80 + 120	80 + 120	80 + 120
Anti-adhesive	l	-	14	-	14	-	14	-	-	14
Hydraulic tank	l	25	25	25	25	25	25	25	25	25
Diesel fuel tank	l	43	43	43	43	43	43	43	43	43

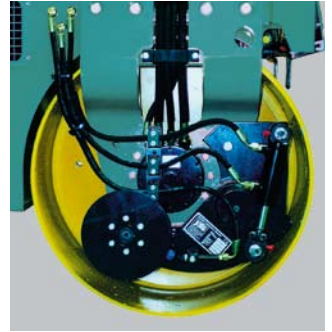
Technical data subject to changes



Folding ROPS for easy transport



2 scrapers per drum



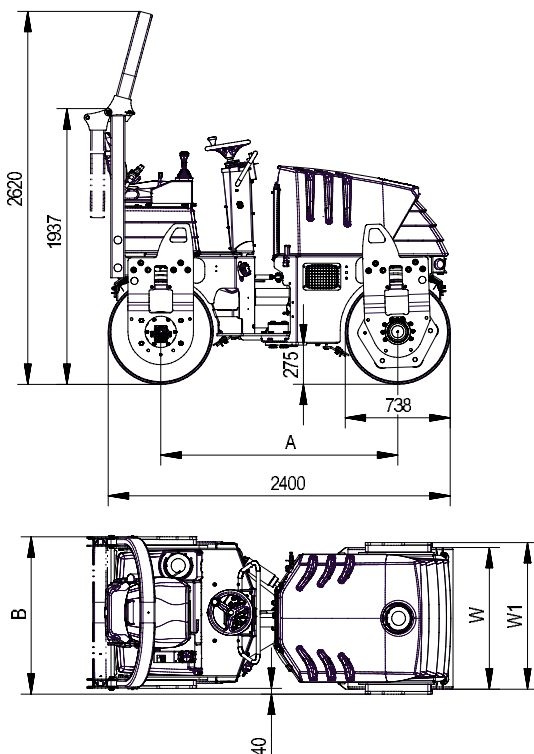
Edge-cutter

Standard

- Both drums with drive
- Double vibration
- pressurised sprinkler system
- Comfort seat with slid able seat
- 2 scrapers per drum
- 4-point lifting hooks
- diesel fuel gauge
- hour meter
- drums 40 mm off-set
- drive lever with vibration- and water switch

Options

- CE-package incl. folding ROPS
- Vibration rear incl. cut-off
- Road lightning
- Side-free AV23-2 and AV26-2
- Rotating beacon
- Reversing alarm
- Battery disconnection switch
- Electrical flow divider
- Edge cutter
- Biodegradable hydraulic oil
- Customer colour
- Lockable water tank



Dimensions	L	B	H	W	W1	A	V
Measures in mm							
AV 23-2	2400	1110	2620	1000	1040	1650	40
AV 23-2 full flush	2400	1110	2620	1050	1110	1650	60
AV 26-2 / 32-2	2400	1310	2620	1200	1240	1650	40
AV 26-2 full flush	2400	1295	2620	1200	1250	1650	95
AV 33-2 / 40-2	2400	1415	2620	1300	1340	1650	40
AV 23-2 K	2400	1065	2620	1000	1040	1700	0
AV 23-2 K seitenfrei	2400	1100	2620	1050	1110	1700	20
AV 26-2 K / AV 32-2 K	2400	1220	2620	1200	1240	1700	0
AV 26-2 K full flush	2400	1250	2620	1200	1250	1700	50
AV 40-2 K	2400	1370	2620	1300	1340	1700	0

Technical data subject to changes